



iQdisp

- process meter in wall-mounted IP 67 case
- 4-digit RED LED display
- input: 0/4-20 mA, 0/1-5V, 0/2-10V
- 0 or 2 REL / OC outputs
- analogue output: active or passive (option)
- transmitter power supply output: 24V DC 100mA
- RS-485 / Modbus RTU
- signal peak value detection
- free configuration software

The **SST iQdisp** process control meter is a 4-digit current and voltage input wall mount display with on-board relay set points.

It is designed to enable standard process signals to be read on its bright IP67 rated display and control via two relay outputs to allow alarm and control functions to be used. The **iQdisp** has an inbuilt 24V DC / 100 mA power supply designed to make it easy to power measuring transducers.

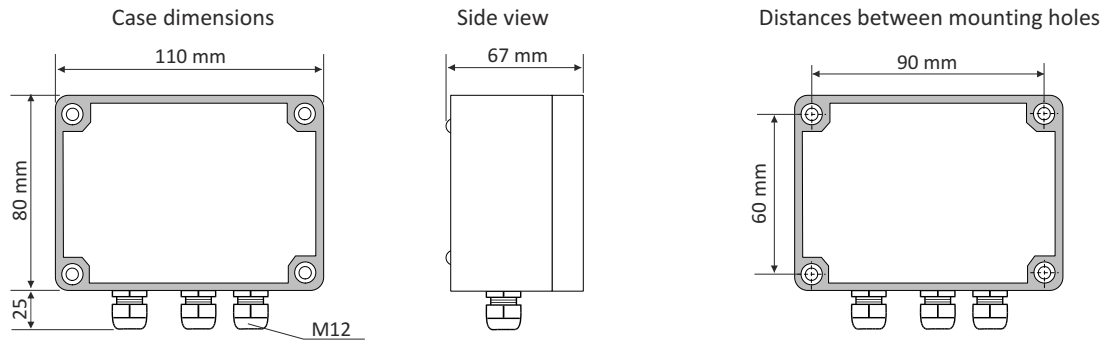
The **iQdisp** is particularly suitable for operations in harsh environments. The meter may be configured with no need to open the case by using the remote IR controller or with free configuration software via the RS-485 communication port. A wide range of characteristic curves (linear, square root, quadratic, user-defined and volume characteristic for cylindrical tanks) allows the use of the **iQdisp** in various process control systems.

The RS-485 Modbus RTU port enables data transmission back to production process monitoring systems.

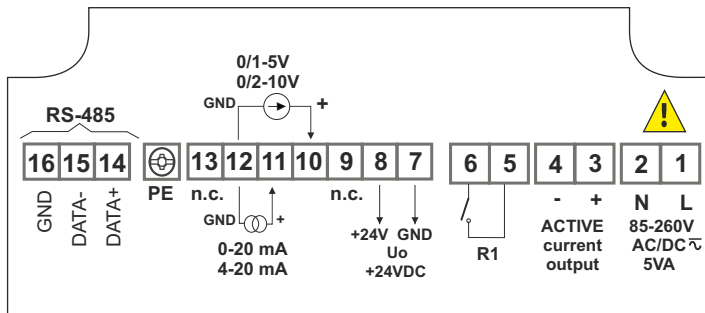
TECHNICAL DATA

Power supply	19V ÷ 50V DC; 16V ÷ 35V AC or 85 ÷ 260V AC/DC, all separated
Power consumption	for 85 ÷ 260V AC/DC and 16V ÷ 35V AC power supply: max. 5 VA; for 19V ÷ 50V DC power supply: max. 5 W
Display	LED, 4 x 20 mm high, red (green - on request), brightness adjustable in 8 steps
Displayed values	-999 ÷ 9999 + decimal point
Input	<u>current</u> : 0-20 mA or 4-20 mA, programmable, input resistance < 65 Ω (typ. 55 Ω), overload-protected, input current limited to 40 mA; <u>voltage</u> : 0-5 V, 1-5V, 0-10V or 2-10V, programmable, input resistance > 50 kΩ
Accuracy	0.1% @25°C ± one digit
Stability	50 ppm/°C
Outputs (option)	0 or 2 x REL I _{max} =1A, U _{max} =30VDC/250VAC (cosφ=1) or OC I _{max} =30mA, U _{max} =30VDC, P _{max} =100mW
Analogue output (available with 1 x REL or OC, see ordering)	<u>active current</u> : operating range 0/4-20 mA (max. 0-24 mA), load resistance 700 Ω max., resolution 13 bit <u>passive current</u> : isolated, operating range 4-20 mA (max. 2,8-24 mA), load resistance 600 Ω@24VDC, resolution 13 bit <u>active voltage</u> : operating range 0/1-5V, 0/2-10V (max. 0-11V), load resistance min. 2000 Ω, resolution 13 bit
Power supply output	24V DC +5%, -10% / max. 100 mA, stabilised
Communication interface	RS-485, 8N1 and 8N2, 1200 bit/s ÷ 115200 bit/s, Modbus RTU (not galvanically isolated)
Operating temp.	0°C ÷ +50°C (standard), -20°C ÷ +50°C (option)
Storage temp.	-10°C ÷ +70°C (standard), -20°C ÷ +70°C (depending on option)
Protection class	IP 67
Case	wall mounting; material: ABS + polycarbonate (standard); 100% polycarbonate (on request)
Glands	M12, cable diameter 3 ÷ 6,5 mm
Dimensions (WxHxD)	without glands: 110 x 80 x 67 mm; with glands: 110 x 105 x 67 mm
Weight	max. 350 g

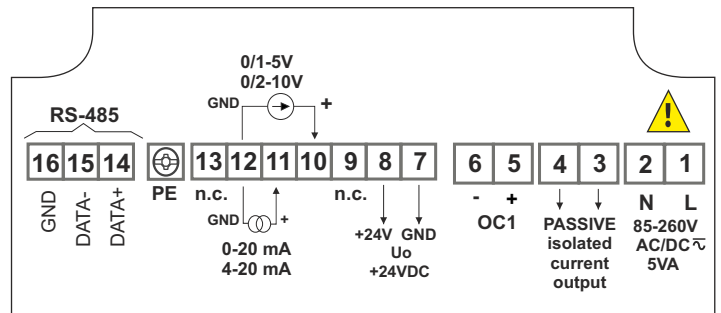
DIMENSIONS



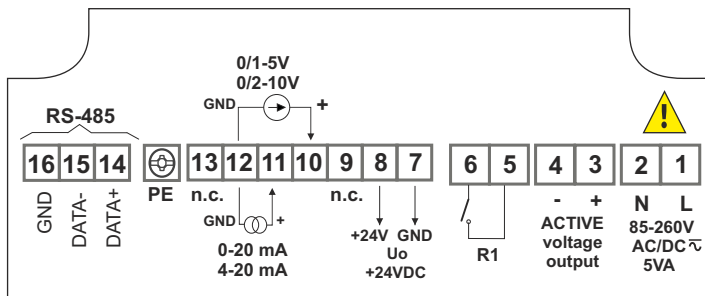
CONNECTIONS



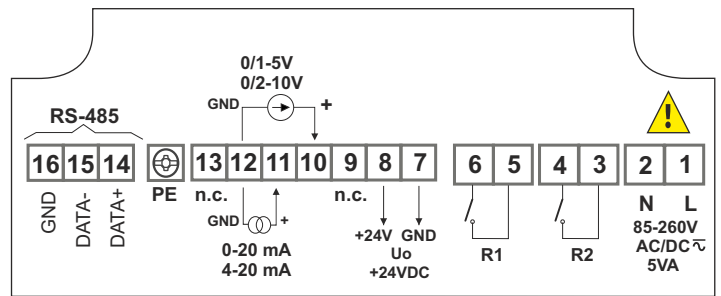
version with 1 x REL and 1 x AO 0/4-20 mA, active



version with 1 x OC and 1 x AO 4-20 mA, passive



version with 1 x REL and 1 x AO 0/1-5V, 0/2-10V, active



version with 2 x REL

PART NUMBERS

iQdisp-X-??XX-?-??

display:

iQdisp : 4-digits

number of outputs:

0
2

type of outputs:

- 0 : no output
- 1 : 2 x REL
- 2 : 2 x OC
- 3 : 1 x REL + 1 x AO (0/4-20 mA, active, non-isolated)
- 4 : 1 x OC + 1 x AO (0/4-20 mA, active, non-isolated)
- 9 : 1 x REL + 1 x AO (4-20 mA, passive, isolated)
- A : 1 x OC + 1 x AO (4-20 mA, passive, isolated)
- B : 1 x REL + 1 x AO (0/1-5V, 0/2-10V, active, non-isolated)
- C : 1 x OC + 1 x AO (0/1-5V, 0/2-10V, active, non-isolated)

options:

- 00 : no options
- 03 : green colour LED display
- 08 : operating temp. -20°C ÷ +50°C

power supply:

- 3 : 24V AC/DC
- 4 : 85V - 260V AC/DC

REMOTE CONTROLLER



iQprog InfraRed remote controller

Allows remote setting of configuration and set points. Remote control trip of relays.

Battery: 6V DC - 4 alkaline batteries type LR44

Operating range: from 0,5 to 5 m